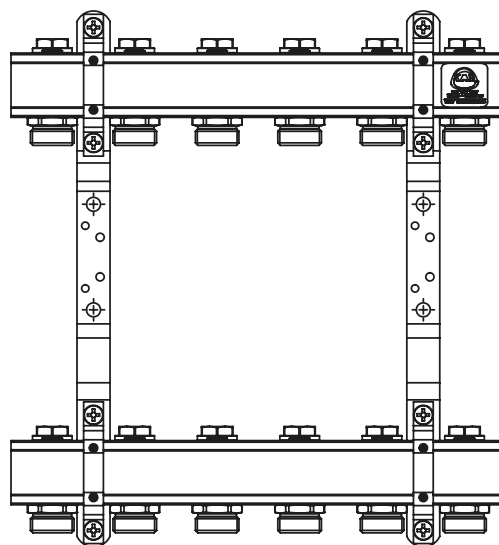
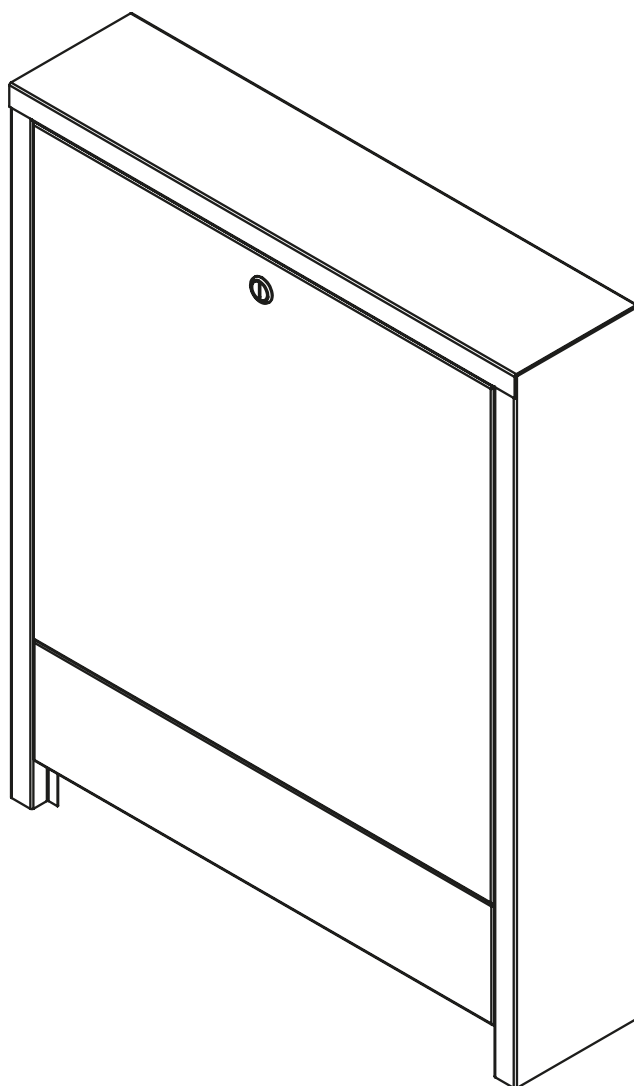


INSTRUCTION

for storage and transport
of manifolds and cabinets for manifolds

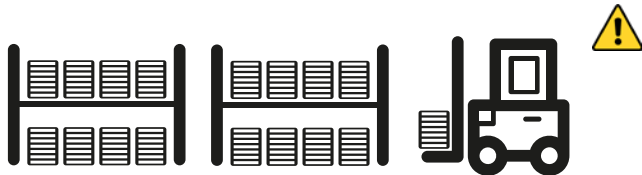


20190701-V1.0-kod instr

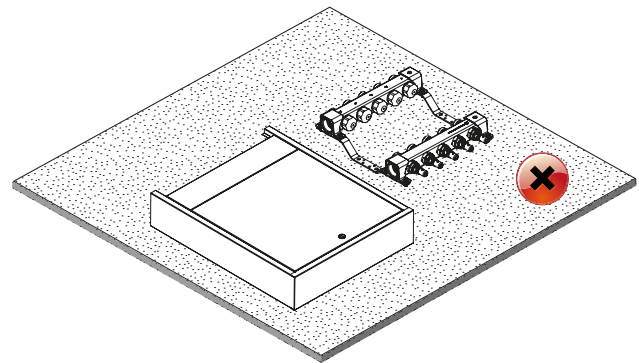


INSTRUCTION

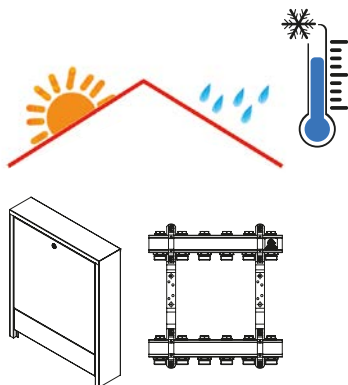
for storage and transport
of manifolds and cabinets for manifolds



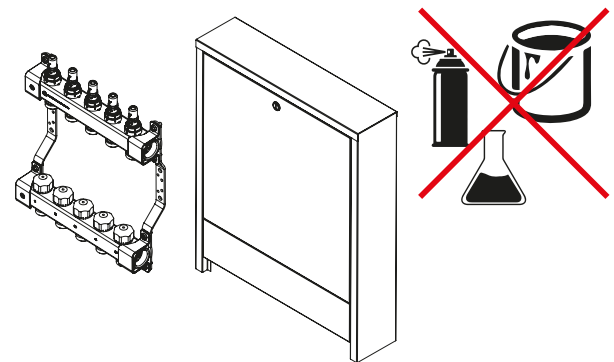
Store and transport elements in their original packaging, in conditions which will not cause deterioration, protecting them against mechanical damage.



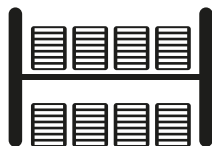
Do not store cartons and manifolds directly on the surface (e.g. ground or concrete).



Store cabinets and manifolds in conditions which do not deteriorate their quality. Protect against frost and moisture.



Protect elements against contact with chemicals and sources of ammonia.



Cabinets and manifolds in cartons must be placed on pallets, mounted and secured in accordance with the technical documentation.

The above rules of storage and transport apply to all products of KAN Sp. z o.o.

⚠ Violation of the above rules results in the rejection of claims.