

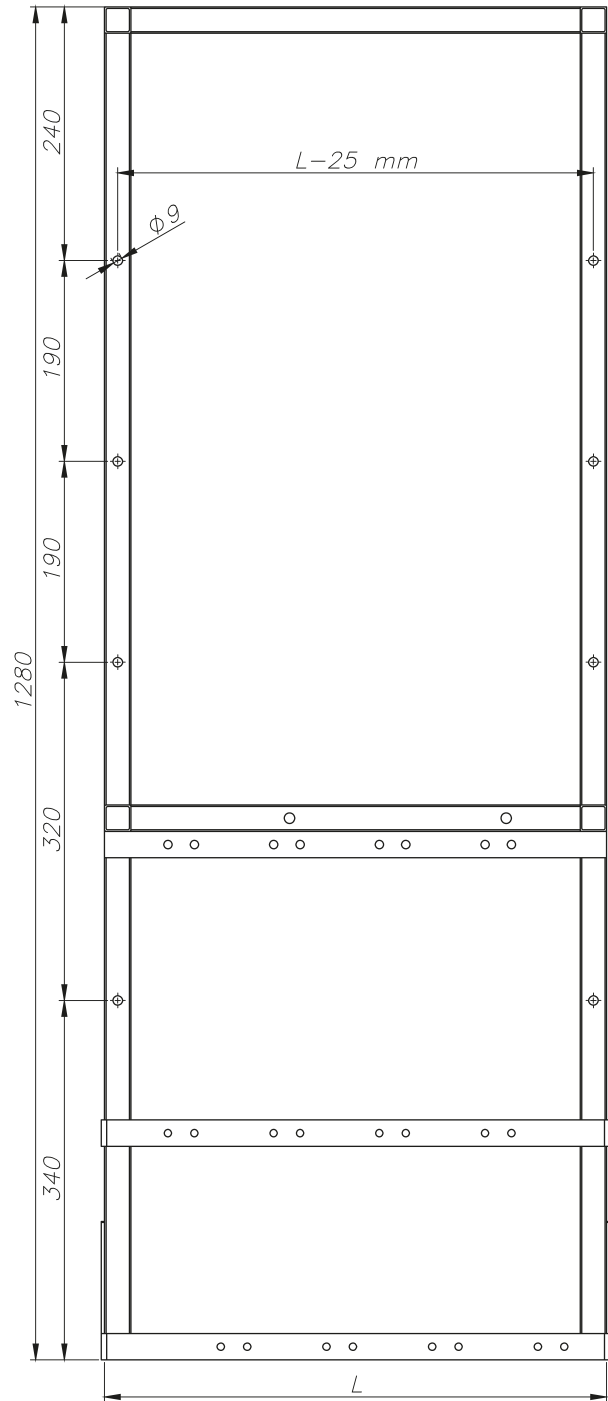
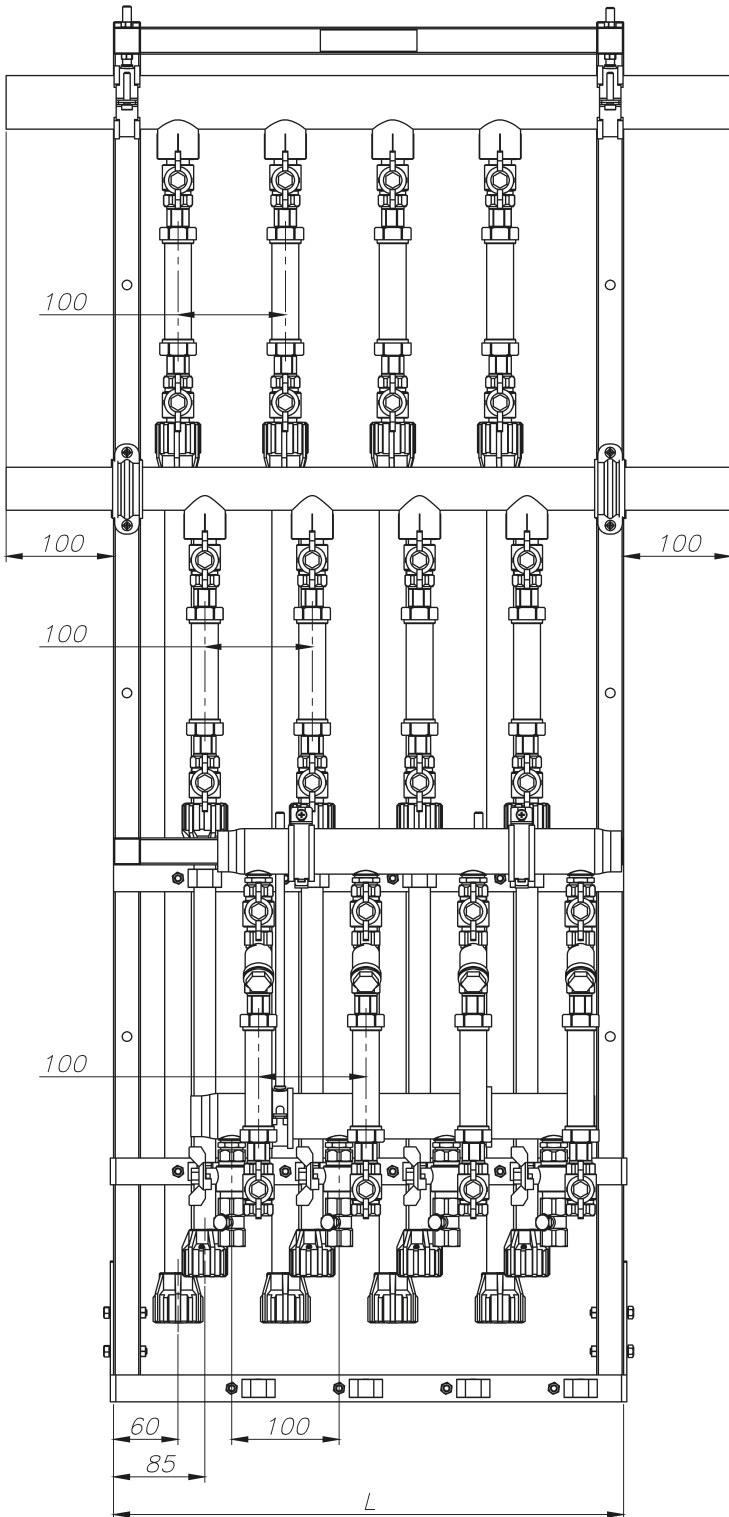


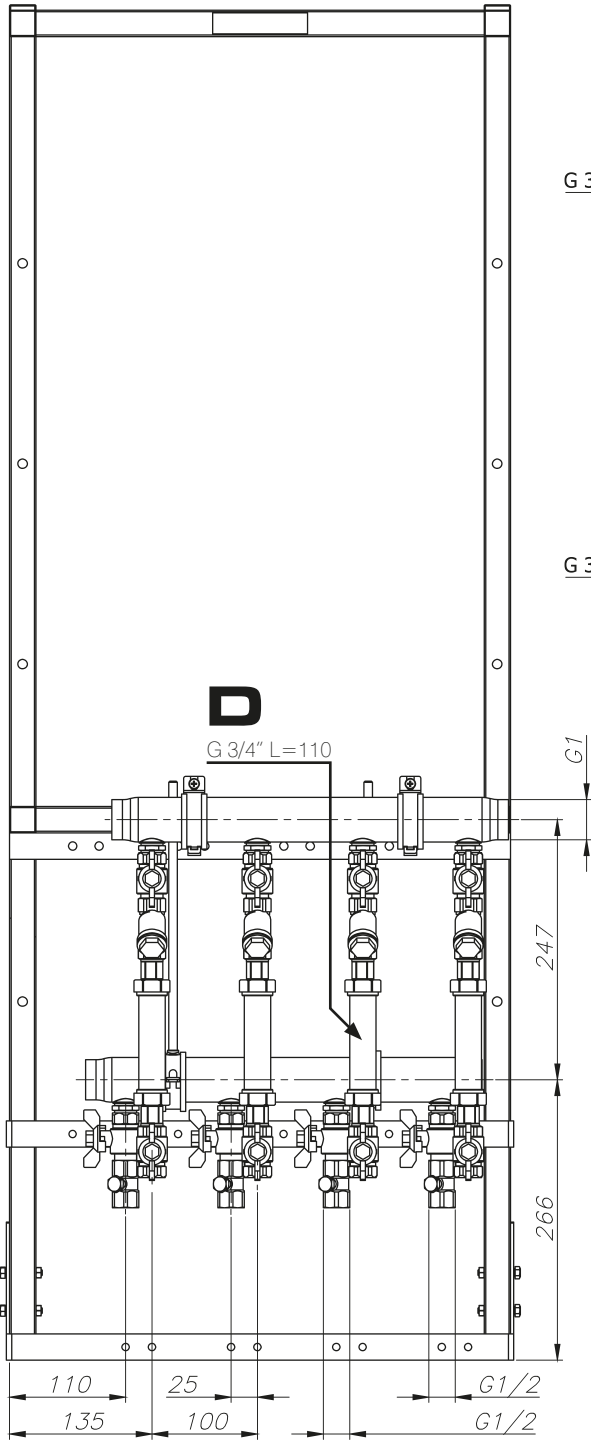
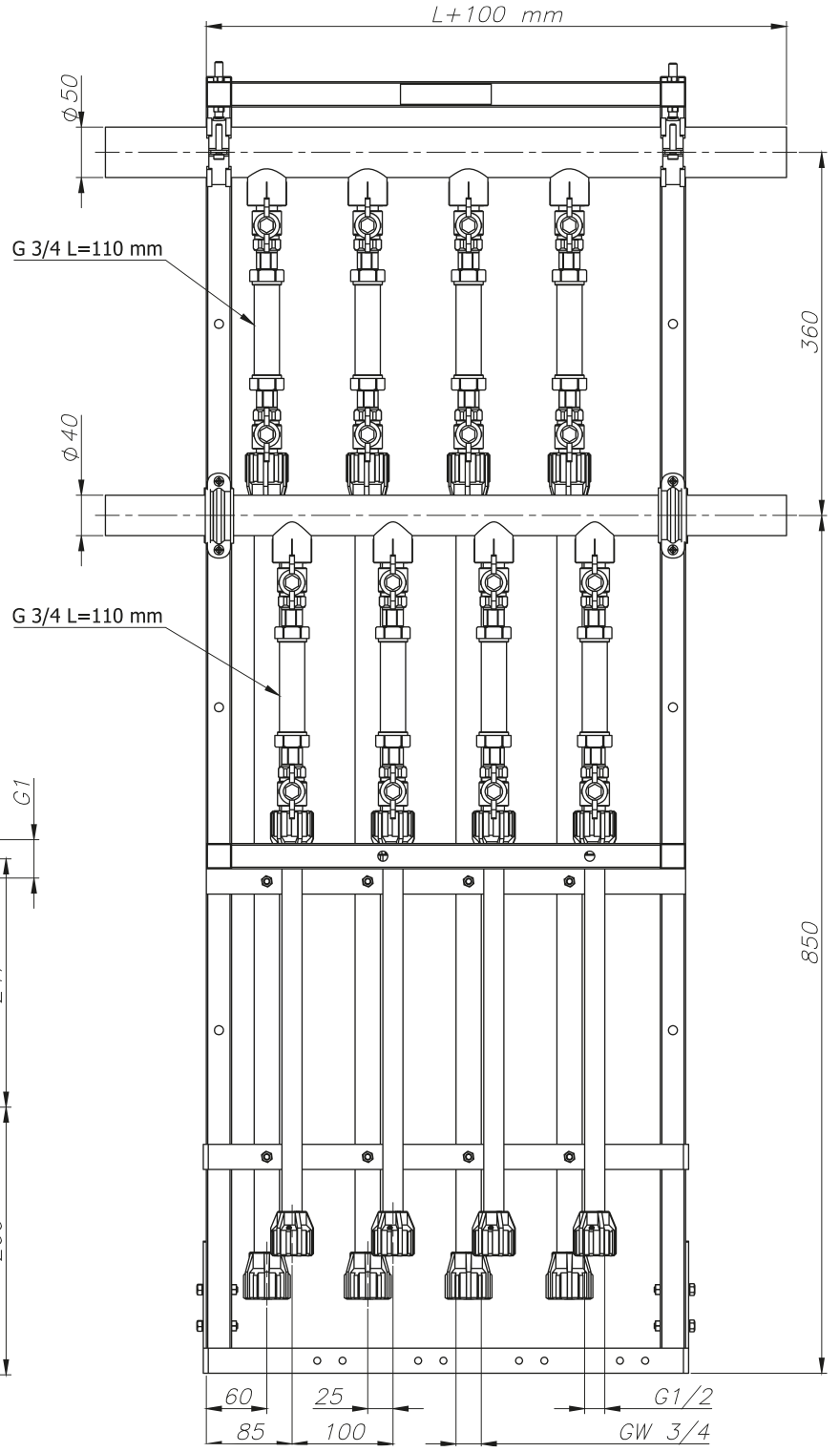
SYSTEM  
KAN-therm

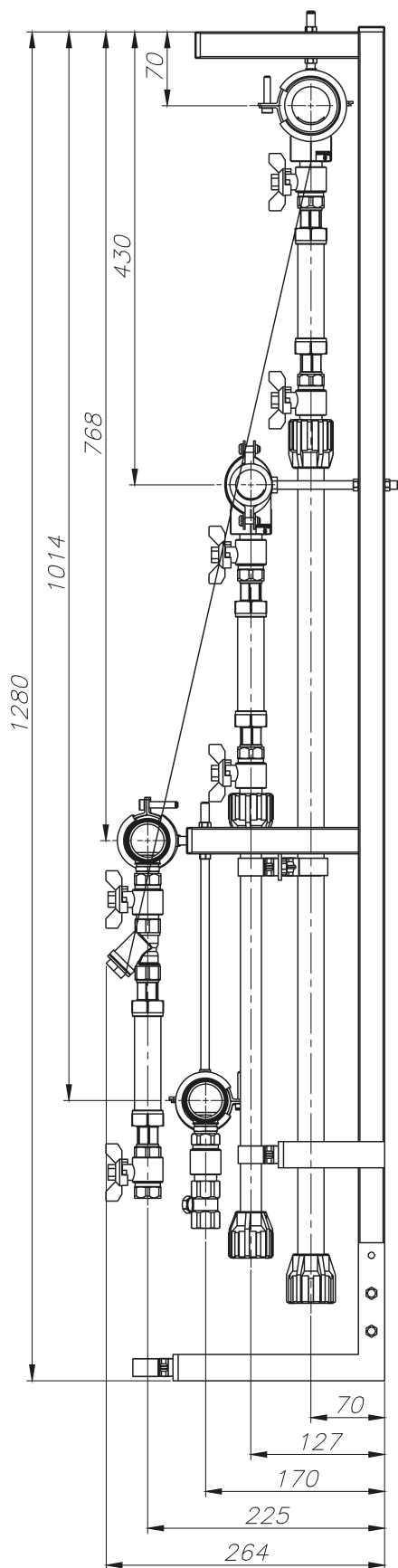


**KAN-therm**  
**ZRM**

# A



**B****C****D**



No	2	3	4	5	6	7	8
<b>L</b> [mm]	375	375	475	575	675	775	875
<b>M</b> [kg]	13	16	20	24	28	32	36

**A:** ST3

**B:** CO

H<sub>2</sub>O = 100%; Glycol ≤ 50%  
1.0252 + CW617N

**C:** H<sub>2</sub>O

H<sub>2</sub>O = 100%  
PP-R + CW617N

**D:** P 10bar T<sub>max</sub> 20°C t<sub>max</sub> 48h

